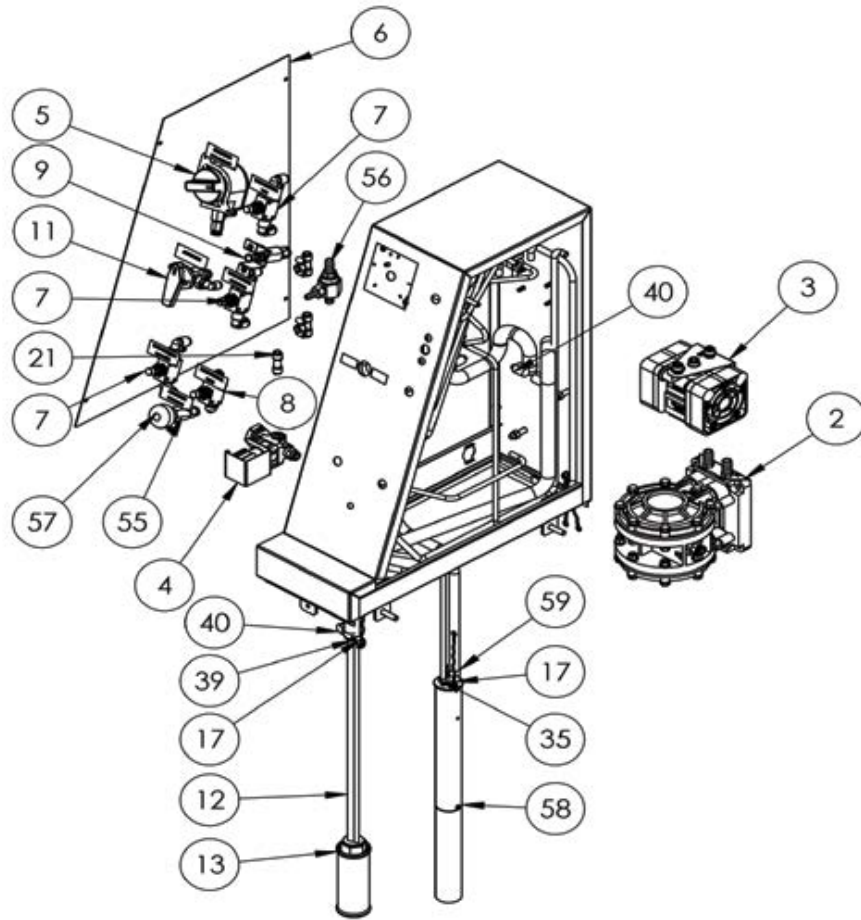


AUTOMATIC GUN CLEANER

AGC 40

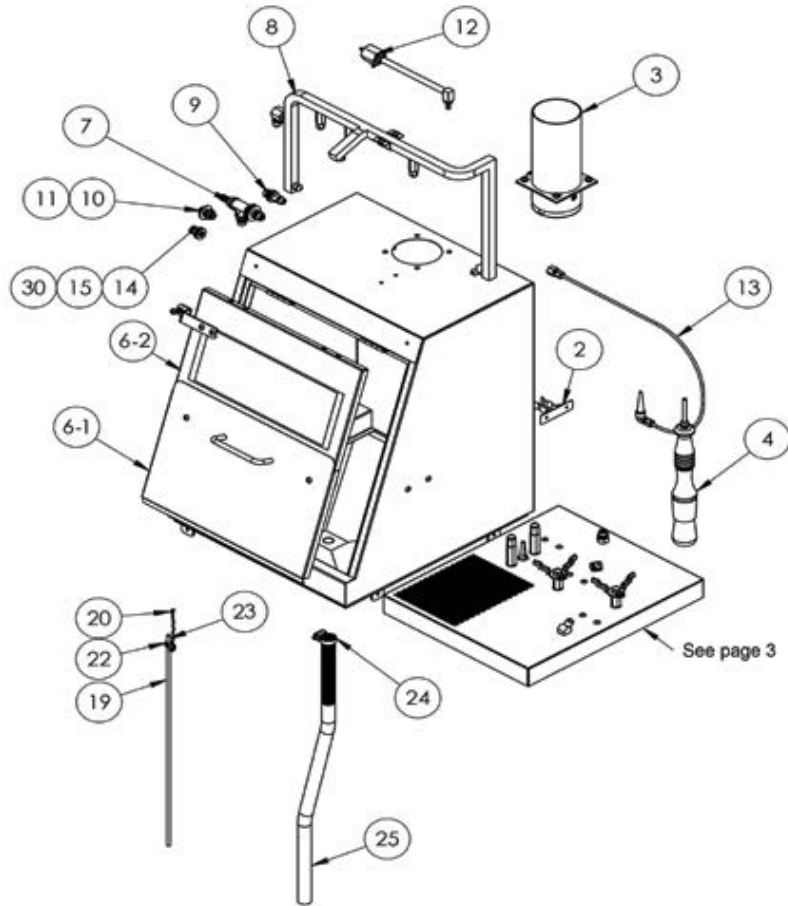
Automatic gun cleaner with automatic rinsing and two pieces door.
Removable front door, air blow gun kit.

ITEM NUMBER	PART NUMBER	DESCRIPTION
1	AGC 26	Bin cover
2	AGC 25	Air blow gun
3	AGC 2019	Base assembly



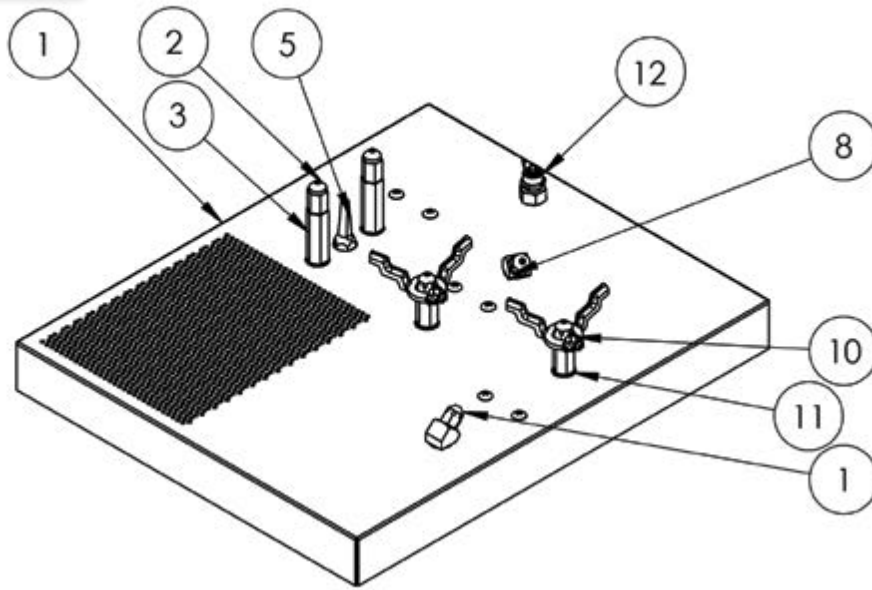
ITEM NUMBER	PART NUMBER	DESCRIPTION
2	AGC 2011	Big pump for AGC
3	AGC 2012	Little pump for AGC
4	AGC 2023	Pressure regulator 6 bar
5	AGC 2009	Timer 5 min. for AGC 20
6	AGC 2054	Cover for control box
7	AGC 2013	Flow regulator for autom. cleaning/rinsing/venturi
8	AGC 2040	Flow regulator for brush
9	AGC 2008	Switch for top AGC 20
11	AGC 2003	Manual operation aut/brush/clean rinse
12	AGC 2022	Suction tube assembly wash pail
13	AGC 2020	Filter for inlet recycle can

ITEM NUMBER	PART NUMBER	DESCRIPTION
17	AGC 35	Ground wire assy
21	AGC 2062	Quick connect T - 6MM OD Hose
35	AGC 35	Hose clamp - 7mm
39	AGC 2051	Hose clamp - 9,5mm (single pinch)
40	AGC 2055	Hose clamp 16"OD
55	AGC 2057	Clean rinse valve assy
56	AGC 35	Clean rinse assembly
57	AGC 2035	Button for AGC 35
58	AGC 35	Clean rinse resevoir
59	AGC 35	Hose clamp - clean rise






ITEM NUMBER	PART NUMBER	DESCRIPTION
2	AGC 5017	Brush holder
3	AGC 2017	Vent tube assembly
4	AGC 2010	Brush for AGC
6,1	AGC 2101	Double door assembly - Top
6,2	AGC 2102	Double door assembly - Bottom
7	AGC 2033	T-connector for delivery tube
8	AGC 2038	Top delivery tube - auto wash
9	AGC 2053	Fitting for brush
10	AGC 2045	Through-Wall Connector, 6 mm Tube OD
11	AGC 2045	Nylon washer
12	AGC 2004	Venturi for rinsing

ITEM NUMBER	PART NUMBER	DESCRIPTION
13	AGC 2045	Sub-assy for delivery tubing inlet fitting
14	AGC 2039	Connector to top tube delivery tube
15	AGC 2064	Flat washer M10
19	AGC 2021	Suction tube - clean rinse
20	AGC 2049	Ground wire assy
22	AGC 2050	Hose clamp - 7mm
23	AGC 2061	Tube 1/4"OD for Suction tube - clean rinse
24	AGC 2058	Hose clamp 16,60mm for black hose
25	AGC 2034	Black hose 16,60mm to recycle can
30	-	Washer- 0,75"OD x 0,39"ID



ITEM NUMBER	PART NUMBER	DESCRIPTION
1	AGC 2044	Bottom rising assembly
2	AGC 2001	Spray nozzle AGC
3	AGC 2024	Extension adapter
5	AGC 2005	Spraygun cleaner nozzle
8	AGC 2026	Street elbow 45 degr
10	AGC 2002	Plastic holder for gravity cup for AGC
12	AGC 2048	Sub-assy for delivery tubing inlet fitting



ITEM NUMBER	PART NUMBER	DESCRIPTION
1	AGC 2042	Clamp 6mm. tube
2	AGC 2043	Clamp 8mm. tube
	AGC 93	Tube black 6mm. (1 meter)
	AGC 94	Tube blue 6mm. (1 meter)
	AGC 92	Tube black 8mm. (1 meter)